



Hastings Br 13
Club Calls
ZL2AS
ZL2QS

Napier Br 25
Club Calls
ZL2GT
ZL2G

IRLP
Node
6793
147.250

Branch's
13/25
Net
9.00 AM
Sunday
Morning
670
Repeater

Editor
John Newson
ZL2VAF



Some of the gear in GARC Branch 13's "Museum" ZL2DW paid a visit

<http://www.zl2gt.nz/>

<http://groups.yahoo.com/group/zl2as/>

Emergency Call-in Frequencies: 3615khz and 670 repeater



Inside This Issue

Hastings Branch 13 Report	Page 2
Napier Branch 25 Report	Page 3
Free to a good home	Page 4
JORN ... Interference?	Page 4
Special Notice Branch 13	Page 4
Wanted	Page 5
HBARC Subs due	Page 5
Hawkes Bay Hamfest	Page 6
Visit to Branch 11	Page 7
Memories wanted	Page 8

HASTINGS BRANCH 13

President:	Blue Smith ZL3TT	Ph 027 220 3724	email: kgsmithblue@nowmail.co.nz
Secretary:	David Walker ZL2DW	Ph 876 0518	email david@apexradiocomms.co.nz
Treasurer:	Peter Keong ZL2PW	Ph 877 4529	email: pkeong@xtra.co.nz
AREC/CD	John Newson ZL2VAF	Ph 876 0370	email: zl2vaf@gmail.com
AREC Deputy:	Robert Wallace ZL2SG	Ph 878 4993	email ffonzrjw@xnet.co.nz

Committee:	- Ray Barlow ZL2RB	Ph 06 878 6068	email: r.w.barlow@xtra.co.nz
	- Peter Moore ZL2HM	Ph	email:
	- Rob Leicester ZL2US	Ph 878 6381	

Hastings QSL Distribution:	Wally Shuker ZL2MO	Ph 843 5497	email ZL2MO@hotmail.co.nz
Magazine Editor:	John Newson ZL2VAF	Ph. 027 230 3642	email john@thecomputerman.co.nz
NZART License Examiners:	Peter – ZL2LF, Dave – ZL2MQ, Ray – ZL2RB		
Club Call:	ZL2AS and ZL2QS		

Club Nights: Fourth Wednesday each month at 7.30 pm Pakowhai Hall, Pakowhai Road, Pakowhai

GIDDAY CREW

Well there you go, month three at an end, where have the months gone, it just feels like last week it was Xmas, but no, the year is off to a flying start.

Not a lot to report this month just some good DX on 40m and not much else so even I have been doing not a lot.

As I said once before, I got a program out of the USA to do the programming on my rigs, well it worked very well on my base rig but the dual bander in the car was a total waste of time as I could only program 2 metres but not the UHF side of the rig which does not go too well with me as the way I read the info that comes with the disk it lead me to believe it would program both bands but alas that's not the case.

I would like you all to think about what you want from the club and what sort of activities you would like us to put on for you as we are not here to do all the work for you, but as a club it takes its members to work with the top team to come up with things you would like to hear about.

Daylight saving is getting close to coming to an end so we will have longer nights and shorter days and from my point of view it means more time inside in the warm and trying to work on things in the shack

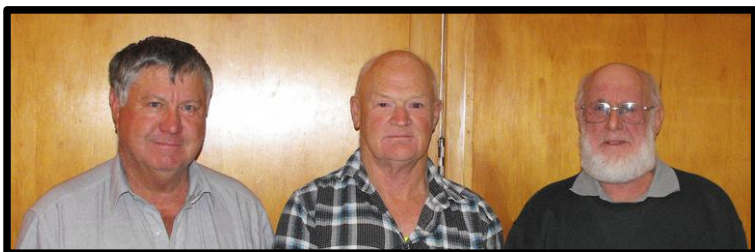
It has come to my attention that when you guys want to talk to the gathered club members on some matter it is very hard for those sitting at the back to hear you so I'm asking that if you have some thing to say please stand up and move to the side so you are facing all the members not just us 3 up at the front, remember some are a bit hard of hearing and the hall does have bad acoustics.

The Hamfest by Branch 25 is all go so if you wish to attend please let Karl ZL1TJ or Dave ZL2MQ know via email to book a place as seating is limited.

I hear the old Branch 13 boss is still tiki touring around the country in some sort of a trolley that has more wheels than his car, maybe he should bring us up to date with the silly things he has seen out on the roads sometime.

Well 'till next time that's it but I hope to see most of you at the meeting and others on the air.

Blue ZL3TT (Br 13/HBARC, Hastings, President).



*Branch 13/HBARC, Hastings, office bearers,
Peter Keong ZL2PW (Treasurer),
Blue Smith ZL3TT (President),
David Walker ZL2DW (Secretary).*

NAPIER BRANCH 25

President: Dave Crook ZL2MQ, 02102969006 email davey.crook@gmail.com
Secretary: Karl Matthys ZL1TJ 845 4372 email karl@waspnet.co.nz
Treasurer: Paul Cavanagh ZL2HB, 843 1977 email pcavanagh10@vodafone.co.nz
AREC: Mike Bull ZL2VM 843 6052 email rlb.mbb@xtra.co.nz

Committee:

Revell Troy ZL2SS 0210742837 email revelltroy@hotmail.com
Peter Breen ZL2CD 0274721527 email peterbreen@clear.net.nz
Wally Shuker ZL2MO 843 5497 email ssplat@xtra.co.nz
Stan White ZL2ST 843 7236 email stanandbern@gmail.com

Committee Meetings: 7:30 pm, 3rd Tuesday of January, March, May, July, September, November

Club Calls: ZL2GT, ZL2G

Club Web Site: <http://www.zl2gt.nz/>

Club Nights: First Wednesday each month (except January) 7.30pm at the Club Rooms: 123 Latham Street Napier

Napier Amateur Radio Club

Well it's March again, and I suppose people are looking forward to the Easter Break.

Stan ZL2ST reports that despite some aerial and computer issues the Jock White team had a successful contest at the usual site, with the new band pass filters performing very well. Several members took the opportunity to oversee / operate in the activity.

This last month has been used up in finalising the Hamfest and the SWR / power meter project. A busy time for all involved. You should have received a call out to both these activities, and Narc would like an indication of your interest.

Hamfest:

This to be held at the Napier Aero Club rooms, on the 7th of April, with a Friday night call in / orientation. Because there is a limit to numbers we can accommodate, we need those intending to attend to register that interest. Please drop an email to Karl:- karl@waspnet.co.nz or Dave:- davey.crook@gmail.com and we will reserve you a place. There may be room for the odd walk-up if not full by reservation. \$20.00 for entry to cover expenses, lunch available. Great line up of speakers. Directions: enter Airport from Main North Road, take turn to the left toward ABB, go past there toward Watchman Road, Aero Club one of 3 buildings at end of road.

SWR Bridge and Power Meter:

If you are interested in this project, there is some options. Email davey.crook@gmail.com indicating interest and I will reply with option / order form. We are only kitting 20 of these and over half have been claimed already, so act now to avoid disappointment.

I have had a couple of contacts with Chris ZL7DX on 2 metres, on meteor scatter and tropo JT65b. He is looking for more contacts and slowly building up his station to include other bands.

That's about all for what has turned out to be a busy month.

73 for now

Dave ZL2MQ

FREE TO A GOOD HOME..



Great restoration projects. The SB300 is in going condition but needs a bit of work. The SB101 has had its final stage converted to 6146's as far as I can recall and I did have it operating briefly at one stage. Alas the separate power supply unit has a fault, I suspect an open circuit power transformer primary. Anyhow all available to anyone who would care to pickup otherwise all destined to the skip.

The SB101 is complete with construction manual and the SB300 manual is available on line.

To arrange pickup contact:

David (ZL2DW Hastings wk 8765014 or hm 8760518).



JORN.....interference source ??????

Three OTHR sites across the middle of Australia (watch/listen to the contained video clip).

<https://www.criticalcomms.com.au/content/radio-systems/article/jorn-to-get-1-2bn-upgrade-1128578826#axzz5AWn1CZFZ>

David (ZL2DW Hastings)



SPECIAL NOTICE FOR Branch13/HBARC MEMBERS

At the next Br 13/HBARC meeting (on 28 March) a motion will be put forward that the monthly meeting day be moved from the fourth Wednesday in the month to the fourth Thursday in the month.

An explanation as to why will be given at this meeting. Come along and give us your thoughts and vote.

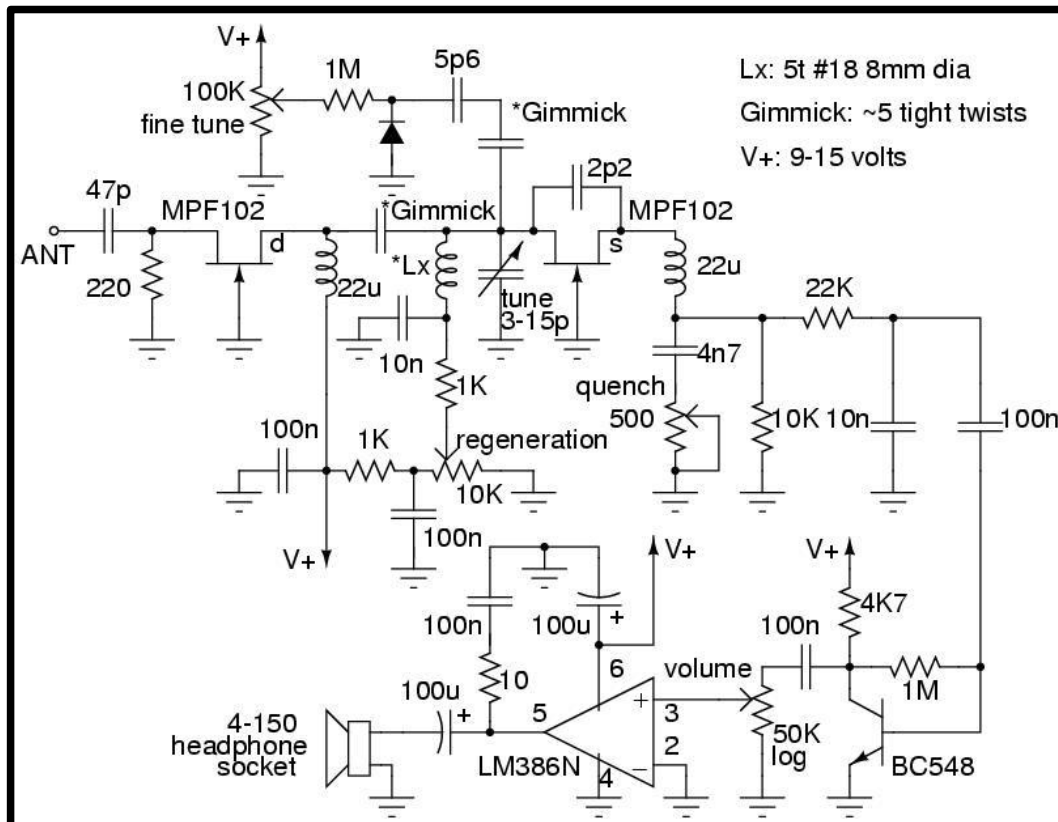
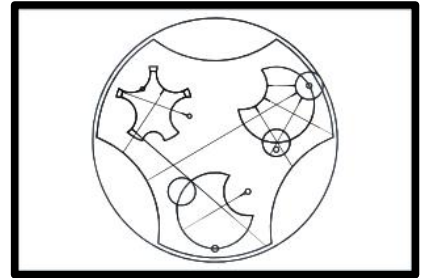
(David ZL2DW Secretary for Branch 13/HBARC, Hastings).

Wanted

I need a 3 to 15pf tuning cap for a 6 meter receiver that I am building.
See att circuit. Any thing up to under 270pf should do.
PS It has a RF stage if anyone is upset.

Eric ZL2TSU

eric.bristow7057@gmail.com



Branch 13/HBARC Subs

Branch sub's were due at our AGM in Nov. 2017. This will be your last reminder.
Sub's can be paid

- to David ZL2DW
- to Peter ZL2PW.
- posted to Br13/HBARC, Box 2403 Stortford Lodge, Hastings (4153)
- banked into the Branch bank account 03 0642 0733310 00 ----- USE YOUR CALLSIGN AS THE REFERENCE.-----

Thank you.

(David ZL2DW Sec. for Br 13/HBARC, Hastings)

Hawke's Bay 2018 Hamfest

The Hawke's Bay 2018 Hamfest organised by the Napier ARC is to take place Saturday 7 April 2018.

The venue is now the Napier Aero Club building Watchman Rd Napier (near airport).

The programme is as follows:

- 0900 Opening and welcome, NARC President Dave ZL2MQ.
- 0910 Con Wassilief ZL2AFP, Lower Frequencies (below 630KHz) 50 min.
- 1000 Morning tea break, coffee, biscuits 15 min.
- 1015 Ray Harkness ZL2RAY, Lightning, static discharge, bonding and earthing 45 min.
- 1100 Dr John Moriarty ZL2JPM, NZART IARU Liaison Officer, International Amateur Radio 30 min.
- 1130 Dr Gary Hinson ZL2iFB, Logbook of the World 30 min.
- 1200 Dave Crook ZL2MQ, NARC Club Project, a high performance SWR & Power meter 30 min.
- 1230 Lunch Break, selection of hot and cold finger food, fruit, coffee, tea 60 min.
- 1330 Holger Hannemann ZL2IO, Station automation 30 min.
- 1400 Xenia Hanneman ZL4YL, CW Skimmer operation 30 min.
- 1430 Erroll Lilley ZL2IT, Radio Experiments 30 min.
- 1500 Dr Gary Hinson ZL2iFB, FT8 digital mode 60 min.
- 1600 Social hour(s), bar opens.
- 1800 Buffet dinner for those interested at the Napier RSA, numbers to be confirmed at 9 am intro.

There will be a brief (2 hours or so) early sign in and social at the aero club from 5pm on Friday the 6th.

There are still seats available but numbers are restricted to 45. Cost is \$20.

Pre-registration is essential, contact Dave ZL2MQ davey.crook@gmail.com Ph. 8454522 or 021 2428959

or Karl ZL1TJ karl@waspnet.co.nz Ph. 8454372 or 027 27434780.

The day promises to be another interesting, possibly entertaining one and will be rounded off with a buffet dinner at the Napier RSA for those interested.

Karl ZL1TJ

A VISIT TO GISBORNE BRANCH 11

On 10 March last I attended the GARC Branch 11 AGM. It was a small affair but I'm sure the quality of attendees made up for the absence of quantity hi hi.

It was good to meet some of the locals at Gisborne and while there was shown around their "museum" (see the pictures attached). It's not just their museum, it's surrounded by many other interest groups making up a diverse collection that is well worth a visit when in Gisborne next. The GARC has an inherited mast up, ready for an HF beam one day and their shack is under construction. Actually the site promises to be an electrically quiet one as there is nothing much in the way of potential electrical interference sources nearby and it's some distance away from the power line carrying road... they should do well on HF.

Promise yourself a visit one day and enjoy the people and Sunny Gisborne.

David (ZL2DW, Hastings)





Memories wanted

Do you have photos, books, meeting minutes, school journals etc. you would like to be available for future generations. Hawke's Bay Knowledge Bank will digitally copy them and make them available on their web site.

The originals will be returned to you.

To see what we have already processed visit:
www.knowledgebank.org.nz

Ring 833 5333 between 10am and 3pm weekdays.