

BREAKOUT

The Newsletter of the Hastings and
Napier Amateur Radio Clubs

Hastings Branch 13 NZART – Napier Branch 25 NZART

Volume 20, Issue 2, February 2020



Hastings Br 13

Club Calls

ZL2AS

ZL2QS

Napier Br 25

Club Calls

ZL2GT

ZL2G

IRLP

Node

6793

147.250

Branch's

13/25

Net

9.00 AM

Sunday

Morning

670

Repeater

Editor

John Newson

ZL2VAF



VHF Field Day or SOTA site ??? View of Ruapehu etc taken from the top of the Kaweka Ranges. ZL2DW

<http://www.zl2gt.nz/>

<http://groups.yahoo.com/group/zl2as/>

Emergency Call-in Frequencies: 3615khz and 670 repeater



Inside This Issue

Hastings Branch 13 Report	Page 2
Napier Branch 25 Report	Page 3
Branch 13 report continued	Page 4
DMR comes to Hawkes Bay	Page 5
A great sea story?	Page 5
YOTA	Page 6
Notices	Page 7
Special General Meeting Branch 13	Page 8
Back in the day	Page 8

HASTINGS BRANCH 13

President:	Blue Smith ZL3TT	Ph 027 220 3724	email: kgsmithblue@nowmail.co.nz
Secretary:	David Walker ZL2DW	Ph 876 0518	email david@apexradiocoms.co.nz
Treasurer:	Peter Moore ZL2HM	Ph 06 68577340	email: pikam@xtra.co.nz
AREC/CD	John Newson ZL2VAF	Ph 027 230 3642	email: zl2vaf@gmail.com
AREC Deputy:	Robert Wallace ZL2SG	Ph 878 4993	email ffonzrjw@xnet.co.nz
Committee:	- Ray Barlow ZL2RB	Ph 06 878 6068	email: r.w.barlow@xtra.co.nz
	- Rob Leicester ZL2US	Ph 878 6381	

Hastings QSL Distribution: Wally Shuker ZL2MO Ph 843 5497 email ZL2MO@hotmail.co.nz
Magazine Editor: John Newson ZL2VAF Ph. 027 230 3642 email john@thecomputerman.co.nz
NZART License Examiners: Peter – ZL2LF, Dave – ZL2MQ, Ray – ZL2RB
Club Call: ZL2AS and ZL2QS

Club Nights: Fourth Wednesday each month at 7.30 pm Pakowhai Hall, Pakowhai Road, Pakowhai

FROM THE TOP (Branch 13/HBARC)

Well here we go again into a new month and there has been quite a bit going on this month and I guess we will just carry on as per normal.

At this months meeting of Branch 13 we are going to have a look at how DMR radio works with a live demo from Rob ZL2AN and some other comments passed by those that have been involved with getting it all up and going.

I for one have had some time on DMR and find it very good and I keep checking on the web site that is run by the Wellington VHF group. You are more than welcome to go have a look at it yourselves to see what it is all about and who is active around the world.

A long time ago I was talking to Laurie ZL2TC and He told me then that DRM was the new way to go and in some ways I listened to what he said but at the same time we were leaning about D-star and what that was all about. Being new to all this digital stuff my head was spinning as to which way to go. I had a look at D-star and then along came Peanut, an App for your cell phone and computer. Boy now I'm really getting mixed up. With time and asking questions I was slowly getting my head around it all, (I think) yea right not on your Nelly nothing was making any sense to me.

Well I got myself a new second hand Icom to do D-star and that is as far as it got. The rig sits on my desk going and scanning around the VHF/UHF bands and some others but still no D-star, Bugger. But wait theres more on Peanut, I could talk to some via my computer.

This then brings back the old argument is this really radio? Yes it is just in a form that is taking some time for some of us to get to grips with along with internet logging and any thing else that goes with radio nowadays I guess anything goes. As long as it works for you so I say let it take the path that we are making for the future of ham radio.

Well now I have moved on from D-star to DMR radio by buying two new DMR rigs out of the USA. I was surprised that after I placed the order it only took 5 days to get here thanks to Fedex, Hell that's quicker that getting some thing out of China any thing from up to 2/3 weeks or more and some times not getting here at all.

Continued Page 4



*Branch 13/HBARC, Hastings, office bearers,
David Walker ZL2DW (Secretary),
Blue Smith ZL3TT (President),
Peter ZL2HM (Treasurer).*

NAPIER BRANCH 25

President: Dave Crook ZL2MQ,
Secretary: Karl Matthys ZL1TJ
Treasurer: Peter Breen ZL2CD
AREC: Mike Bull ZL2VM

02102969006 email davey.crook@gmail.com
845 4372 email karl@waspnet.co.nz
0274721527 email peterbreen@clear.net.nz
843 6052 email rlb.mbb@xtra.co.nz

Committee:

Revell Troy ZL2SS	0210742837	email revelltroy@hotmail.com
Wally Shuker ZL2MO	843 5497	email ssplat@xtra.co.nz
Stan White ZL2ST	843 7236	email stanandbern@gmail.com
Michael Mullins	8434210	email michaelmullins@xtra.co.nz
Stuart McLeod	8445706	email stushe@slingshot.co.nz
Martin Akhurst ZL2MD		

Committee Meetings: 7:30 pm, 3rd Tuesday of January, March, May, July, September, November

Club Calls: **ZL2GT, ZL2G**

Club Web Site: <http://www.zl2gt.nz/>

Club Nights: First Wednesday each month (except January) 7.30pm at the Club Rooms: 123 Latham Street Napier

Napier Amateur Radio Club

My copy of Break In has an interesting article on reducing noise from portable generators. As a significant amount of noise is generated by mains connected household equipment it is probably worth reading to see if a "shack filter" is worth considering,

Last years Club Project of a Dummy load (with a display option) is coming to an end, with only 3 completed kits to sell, these are available via trademe, or you can ring me for a completed Branch 13 or 25 price. WARNING: for those who have yet to complete their project I have realised that the 3 screws holding the RF connector in place are a little long, and can potentially short out the input, I have kits of 3 shorter screws available for all kits, so even if you have completed you should change these screws. I will have these available at our next meeting, or you can contact me for sooner delivery. NB. This does not effect the Dummy load only version, only the Display version.

My EME fun continues with me chasing northern hemisphere Dxpeditons, I have noticed a significant increase in background noise at my QTH, and I am actively chasing down potential noise sources. Which is quite time consuming. A quick check if your station can run on a battery, is to throw the mains switch and see if your local noise diminishes or in fact disappears.

Local noise has encouraged me to reignite a noise cancelling project that I shelved a short time ago to pusue other activities, if this comes to something I will share the news.

I hope your month has been busy and interesting and you have achieved any aims and ambitions you may have in Amateur Radio

See you on the 4th March at 7:30.

73 de ZL2MQ

Well Rob ZL2AN gave us a show and tell on the DMR radio's he got and the two that I got are the same as his CS800D which are out of China. They work well and are made solely for Connect Systems in the USA. The only reason I went for these is they have a detachable front plate which is ideal for installation into the car. You can put the main part of the rig under the seat or in the boot. All you need is a standard cat 5 or 6 cable to run between the front and back of the radio.

Well at this time I got the radios but had no idea on how to program them so after getting in touch with Rob ZL2AN we got things worked out and with his help and Steven ZL2KG's help I now have 2 very good radio's working on DMR as well as VHF/UHF.

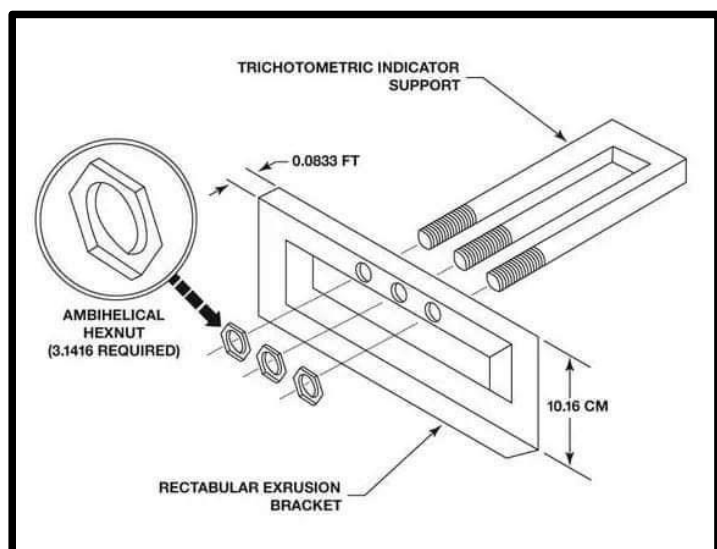
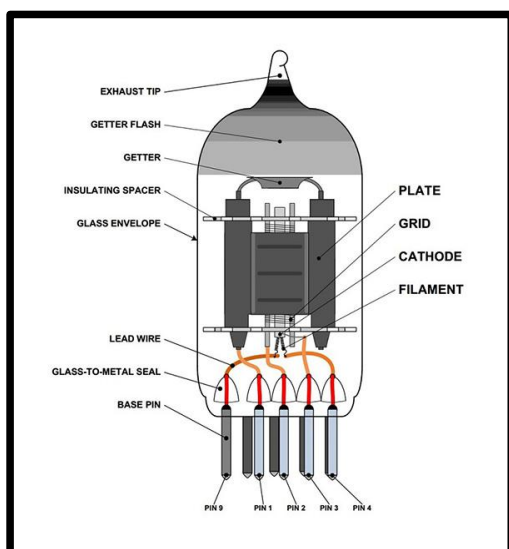
I would just like to thank Steve ZL2KG, Dave ZL2DW, and Rob ZL2AN for all the great work they have been doing to get DMR up and running in Hawkes Bay and to Steve for all the work he has done around the rest of NZ for DMR. At the last meeting of branch 25 I was asked as to what is happening with the set up of the SDR system. Well I don't know as those that were given the job have failed to come back to either branch and report on what they have been doing. We have also had some members looking into the updating of the combined web site. I would be very grateful if these members could send an email to advise us as to where they are with these projects so that rest of us will know what is going on and how far along you guys are with these projects.

OK well that's enough from me for this month. Next month I won't be back in time to write any thing for the newsletter as I will still be coming back from Tasmania. You never know I just might get some quiet time over there in between my travels to write and get some pictures. I will have to wait and see. It is the very first time that I have been out of New Zealand, yes I have been to the Chatham Island but that is still in New Zealand - or so we are led to believe. Ask them over there and you will get told something else.

I have added a picture of a tube so that those of you who have no idea as to what they look like or what the parts inside the glass tube are for. The other picture is a head ace so try and work out if it can be true or just what it's meant to be.

See you all when I get back home and if I can I will be using the IRLP from Tasmania so keep your ears on 147.250 and you might just hear me calling. cheers to you all

Blue ZL3TT President Branch 13 HBARC.



DMR COMES TO HAWKES BAY

On 29 Jan 2020 our Hawkes Bay UHF DMR repeater was installed and made operative at Mt Threave (south Hastings). Operating on 439.2375mhz.

Acknowledgement needs to go to so many people who assisted us along the way... ..we say thank you for your contributions.

This DMR service opens up an opportunity for local amateurs to experience digital radio communications and enjoy the avenues it provides.

Since the beginning of Feb. there has been a flurry of new DMR registrations and DMR/analogue equipment becoming operative around Hawkes Bay.

Enjoy the new opportunity and mode.

David (ZL2DW)



HB UHF DMR Repeater equipment at Mt Threave



A Great Sea Story?

Hi all re the "Great Sea Story" in the January "Break-Out" , it's a good story but not much more than that. The claim that one end of the ship was in the Southern hemisphere Summer and the other end of the ship was in the Northern hemisphere Winter because it straddled the Equator is not strictly accurate. Between 23 degrees North of the Equator (The Tropic of Cancer) and 23 degrees South of the Equator (The Tropic of Capricorn) lies the Tropical Zone which has neither Winter nor Summer, just a wet season and a dry season. And depending on which way the ship was steaming East or West when it crossed the International Date Line, it could have arrived before it left.

ZL2TC

YOTA

Austrian national amateur radio society ÖVSV reports the Ministry of Transport, Innovation and Technology granted Martin Rafenstein OE3RQA an exception to enable students to use amateur radio

A translation of the ÖVSV post reads:

Under supervision and guidance of experienced radio amateurs, pupils of the fourth year of the higher technical college for electronics and technical informatics of the Technological Museum of Technology (TGM) Vienna XX were able to gain their first experience in the field of amateur radio on Friday, January 17th, 2020.

For this purpose, the teachers had invited a guest lecturer from the Austrian Experimental Broadcasting Association, Martin Rafenstein (OE3RQA).

In addition to his experience and expertise, he also brought a lot of amateur radio devices with him as illustrative material.

After a general introduction to the topic, the students were then shown and demonstrated selected amateur radio components (radio devices, antennas, cables, measuring devices). With the simplest of means, a short-wave antenna (homemade) (so-called "Bazooka") was then hung up in the laboratory to give the students a clearer understanding of the experimental character of this hobby.

The highlight of this afternoon, however, was undoubtedly that, in the course of a certificate of exemption granted by the Ministry of Transport, Innovation and Technology – so-called "speech freedom" – under the amateur radio call OE20TGM that had been set up especially for this afternoon, pupils were even able to talk to any amateur radio operator.

Under the supervision of the authorized persons, extremely nice radio conversations with several radio amateurs from Vienna and Lower Austria came about.

Some of the remote stations were themselves graduates of the TGM and were pleased about the direct conversation with technically interested young people who came into contact with the medium of amateur radio for the first time.

The event ended with a demonstration of voice and data connections between the Internet and amateur radio.

Here the students got an impression that the classic, traditional "analog" radio world has long since grown together with the digital world that you seem more familiar with.

Source OeVSV



WE WANT YOUR SENSE OF ADVENTURE

YOTANZ or Youngsters On The Air (NZ) is a group of like-minded young Kiwis, who enjoy the hobby of Ham Radio. We have a growing group on Facebook which is dedicated to helping youngsters get into the hobby, and encourages everyone to share their radio operating activities, 3D Printing and Laser cutting designs and techniques, and offers a safe place for members to learn and ask questions all things tech-related. To Join go to: www.facebook.com/groups/YOTANZ

#RADIO
#PORTABLE
#ZL6YOTA

YOTA NEW ZEALAND
YOTANZ.COM



For Sale

For Br 13 funds 12v, SLA 9a/h batteries \$5.00

<https://www.yhipower.com.au/product/6fm9y/>

See David ZL2DW



FOR SALE

(For Club funds) Offers for 1 x Ferranti Power Supply. 230vac input, Output -15v DC 1.5A, +15v DC 0.15A.

See David ZL2DW



Branch 13/HBARC meeting guest speaker

After the normal 26 February General Meeting Bob ZL2AN and other will give a talk on the new DMR repeater and DMR service in general.



Branch 13/HBARC Sub's are due NOW

This is your last reminder. \$20.00

These can be paid to

- the Branch 13 bank account 03 0642 0733310 00 (use your call sign as the reference)
- paid to Peter ZL2HM or David ZL2DW (cash)
- cheques cannot be accepted now and I wouldn't advise posting cash .. it's easy to pay online.

SPECIAL GENERAL MEETING of Branch13/HBARC

Due to the need to change our Club Rules to keep the IRD happy there will be a Special general Meeting of Branch 13/HBARC, after the normal General Meeting at 7-30pm, Wednesday 26 Feb. 2020, Pakowhai Hall.



BACK IN THE DAY

Life as a country Line Man/Fault Man on the East Cape

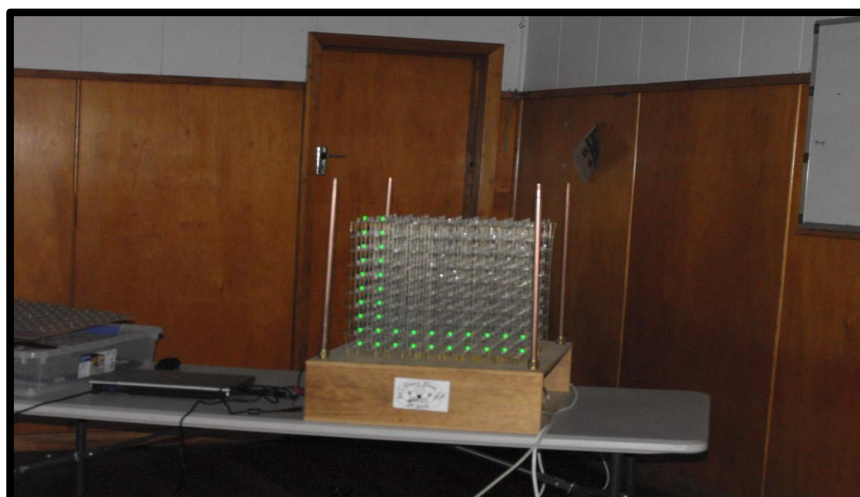
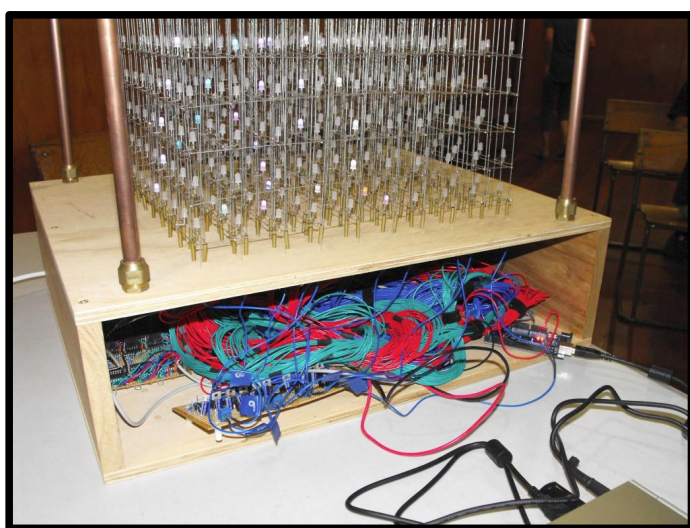
In the 1960's I started my working life as an apprentice carpenter working in Dannevirke. I then wanted to go to sea, so filled out the paper work to join the Union Steamship as a cadet officer and the RNZN in the Hydrographic Branch. Went with the RNZN. In 1970 I left and joined the NZPO. Started in Wellington, transferred to Lower Hutt then transferred to Ruatoria. Then back to Wellington then to the NZPO National Training school as an Instructor. On the closure of the training school, I moved in Network Design in Lower Hutt. From there to NZ Railways Communications Branch with responsibility for OSP (outside plant) nationwide. As NZR was a shareholder in the startup company in Clear communications, I move to them as a Section Manager, OSP based in Wellington with responsibility for the lower North Island and the South Island. I joined the design team to design and build a fibre network from Auckland to Wellington. Left to work in Australia returning to NZ in 2002, my time in the industry finished.



Stranded in river with either radio techs ex Napier or lines staff ex Gisborne. We were heading to new MA site. That's me in blue shirt.



View of Mt Tauhara (Taupo) etc taken from the top of the Kaweka Ranges. ZL2DW



The 3D LED Cube presented at the January Branch 13 meeting, by Steven ZL2SPF