



Hastings Br  
13  
Club Calls  
**ZL2AS**  
**ZL2QS**

Napier Br 25  
Club Calls  
**ZL2GT**  
**ZL2G**

**IRLP**  
Node  
6793  
147.250

**Branch's**  
**13/25**  
**Net**  
9.00 AM  
Sunday  
Morning  
670  
Repeater

**Editor**  
John Newson  
ZL2VAF



*Look beyond the sign, check page 5 for more info*

<http://www.zl2gt.nz/>

<http://www.zl2as.org.nz/>

**Emergency Call-in Frequencies: 3615khz and 670 repeater**



### ***Inside This Issue***

<b>Napier Branch 25 Report</b>	<b>Page 2</b>
<b>Hastings Branch 13 Report</b>	<b>Page 3</b>
<b>Rally of Hawkes Bay</b>	<b>Page 4</b>
<b>Notices</b>	<b>Page 4</b>
<b>VLF Towers Exmouth</b>	<b>Page 5</b>
<b>Another week another project</b>	<b>Page 6</b>
<b>RSGB Handbook orders taken</b>	<b>Page 7</b>
<b>ZL2KO Ham Cram</b>	<b>Page 8</b>

## **NAPIER BRANCH 25**

**President:** Dave Crook ZL2MQ, 02102969006 email [davey.crook@gmail.com](mailto:davey.crook@gmail.com)  
**Secretary:** Karl Matthys ZL1TJ 845 4372 email [karl@waspnet.co.nz](mailto:karl@waspnet.co.nz)  
**Treasurer:** Stuart McLeod 8445706 email [stushe@slingshot.co.nz](mailto:stushe@slingshot.co.nz)  
**AREC:** Mike Bull ZL2VM 843 6052 email [r1b.mbb@xtra.co.nz](mailto:r1b.mbb@xtra.co.nz)

### **Committee:**

**Revell Troy ZL2SS** 0210742837 email [revelltroy@hotmail.com](mailto:revelltroy@hotmail.com)  
**Michael Mullins** 8434210 email [michaelmullins@xtra.co.nz](mailto:michaelmullins@xtra.co.nz)  
**Peter Breen ZL2CD** 0274721527 email [peterbreen@clear.net.nz](mailto:peterbreen@clear.net.nz)

**Committee Meetings:** 7:30 pm, 3rd Tuesday of January, March, May, July, September, November

**Club Calls:** ZL2GT, ZL2G

**Club Web Site:** <http://www.zl2gt.nz/>

**Club Nights:** First Wednesday each month (except January) 7.30pm at the Club Rooms: 123 Latham Street Napier

## **Napier Amateur Radio Club**

Well, the Branch 25 hosted NZART AGM and conference 2021 has been and gone, with just a sigh of relief from me at least.

I offer my sincere thanks to all those Branch 25 and Branch 13 members who contributed to the planning and implementation of this event.

Some facts:

The event was held at East Pier conference centre.

Over 155 people attended or helped in some way with this event.

There were 24 sessions in the DECO TECHO Sunday.

An estimated 800 hours were contributed by the organisers and helpers to this show.

Feedback to the event has been largely positive, and most people seem to have enjoyed the experience. I hope you all got your expectations out of attending and / or contributing.

The "Hamfest" style for the Sunday sessions reinforces our desire to put on a good event, and we should consider another of these in a couple of years time.

Back to business:

Our next general meeting will be on the 7th July, 7:30 at the Latham street Clubrooms. After the general business, John ZL2VAF will get us up to date with AREC and where that organisation is headed to in the future.

I am still playing around with mag loop antennas, and have made a few contacts while checking the TX performance of the design. I have come to the conclusion that although the RX side can be a few khz off frequency and still perform well, to TX efficiently the loop has to be tuned precisely to the correct frequency.

Sad News:

Dave Lamont ZL2AMD became a silent key on 16th June, our condolences to his Family.

*Continued on Page 5*

## HASTINGS BRANCH 13

<b>President:</b>	Blue Smith ZL3TT	Ph 027 220 3724	email: <a href="mailto:kgsmithblue@nowmail.co.nz">kgsmithblue@nowmail.co.nz</a>
<b>Vice President</b>	Robert Wallace ZL2SG	Ph 878 4993	email <a href="mailto:ffonzrjw@gmail.com">ffonzrjw@gmail.com</a>
<b>Secretary:</b>	David Walker ZL2DW	Ph 876 0518	email <a href="mailto:david@apexradiocoms.co.nz">david@apexradiocoms.co.nz</a>
<b>Treasurer:</b>	Peter Moore ZL2HM	Ph 06 68577340	email: <a href="mailto:pikam@xtra.co.nz">pikam@xtra.co.nz</a>
<b>AREC/CD</b>	John Newson ZL2VAF	Ph 027 230 3642	email: <a href="mailto:zl2vaf@gmail.com">zl2vaf@gmail.com</a>
<b>AREC Deputy:</b>	Robert Wallace ZL2SG	Ph 878 4993	email <a href="mailto:ffonzrjw@gmail.com">ffonzrjw@gmail.com</a>
<b>Committee:</b>	Ray Barlow ZL2RB	Ph 06 878 6068	email: <a href="mailto:r.w.barlow@xtra.co.nz">r.w.barlow@xtra.co.nz</a>
	Rob Leicester ZL2US	Ph 878 6381	
	Peter Keong ZL2PW	Ph 027 217 1315	email: <a href="mailto:pkeong@xtra.co.nz">pkeong@xtra.co.nz</a>
	Brendin Graham-Ireland ZL2SB	Ph 027 777 2262	email: <a href="mailto:brendingj98@gmail.com">brendingj98@gmail.com</a>
	Stephen Simpson ZL2SPF		
<b>Hastings QSL Distribution:</b>	Wally Shuker ZL2MO	Ph 843 5497	email <a href="mailto:ZL2MO@hotmail.co.nz">ZL2MO@hotmail.co.nz</a>
<b>Magazine Editor:</b>	John Newson ZL2VAF	Ph. 027 230 3642	email <a href="mailto:john@thecomputerman.co.nz">john@thecomputerman.co.nz</a>
<b>NZART License Examiners:</b>	Peter – ZL2HM, Dave – ZL2MQ, Ray – ZL2RB		
<b>Club Call:</b>	<b>ZL2AS and ZL2QS</b>		

**Club Nights: Fourth Wednesday each month at 7.30 pm Pakowhai Hall, Pakowhai Road, Pakowhai**

## From the top table

Well here I sit cold and wet outside and I think what is it I'm supposed to do today - nothing!! I have this damn noise going off at regular times and for the life of me I can't work out what it is. It is coming from behind my laptop and it is at regular intervals so I asked Tony ZL2UBN if he can hear it while I was taking the Sunday morning net. He sent me an email with a short cut to a web page to reinstall Windows 10.

Well while I was sitting here talking to Wally ZL2MO over a cuppa and we were talking about things and it suddenly came to me, when you take a USB cable out and don't put it back after you have done what you were doing things, you get strange things happen and that was the case here. The speaker in my laptop does not work so I run an external speaker and it relies on power from the laptop to charge it. That was what the noise was, the speaker was telling me it was going flat and needed to be plugged in. That is one of those moments that we say that I'm getting old and can't remember a bloody thing.

Enough of that, I believe that conference went off well and good on the Branch 25 guys and 2 or 3 from Branch 13 for running it. Thank you for all the hard work to get it off the ground with COVID 19 and not being to sure if it could go ahead. A job well done and a great venue that was well received by those that attended.

I have been on the bands of late and working some stations in the USA and VK with good results. The bands are getting better you just have to be there at the right time. 17 and 20 are slowly getting better from around 11am onwards.

A big reminder to that branch 13 meetings start at 7pm and not 7.30pm and this month we are having a talk from the local Civil Defence man. It will be interesting to see what they have to say. John Newson ZL2VAF is looking for operators next month for the up and coming Hawkes Bay Car Rally. If you have the time please let John know asap so he can get the numbers he will need, even if you don't have a radio in your car in some cases a hand held radio will do the trick with a mag mount on your car roof.



*Branch 13/HBARC, Hastings, office bearers,  
David Walker ZL2DW (Secretary),  
Blue Smith ZL3TT (President),  
Peter ZL2HM (Treasurer).*

Well that's about it for this month so I look forward to see some of you at our next meeting and others further down the track somewhere some how. We are still wanting you guys to put pen to paper and tell us all your story or how you got into radio or what made you get interested in running a ham station.

Next month is the donated junk sale so sort through your junk and bring it along. Please don't

take it to Dave ZL2DW's workshop - its your junk bring it with you and have some fun. Oops almost forgot, put some money in your pocket as well.

Your President Blue ZL3TT HBARC



## **Rally of Hawkes Bay 2021**

### ***Urgent request for operators***

We will be providing safety communications for the Rally of Hawkes Bay on the 24<sup>th</sup> of July and need seven field operators and three in HQ. This can be a decent fund raiser for our clubs (money is dished out to the participants club) and helps cover repeater licenses etc. Some equipment available to loan for the Rally.

Please notify John ZL2VAF 027 230 3642 or zl2vaf@gmail.com if you are able to help.



### **A Letter to the Editor**

May I just say that those of us locals who attended the NZART Napier Branch 25 Conference during Queens Birthday weekend I'm sure had a great time for so many reasons. Personally I found the volunteering and acceptance of invitations to contribute something (eg presenters etc) to be most gratifying. Thank you to all of you who gave me personally a great weekend. Thank you Branch 25 for hosting the Conference.

David ZL2DW



### **June Branch 13/HBARC Hastings, General Meeting.**

Wednesday 23 June.....**start time 7pm**..... Pakowhai Hall. At **7pm** will be our guest speaker Edaan Lennan from Civil Defence followed by the normal general meeting... and cuppa.



### **MID YEAR Branch13/25 XMAS TEA**

Friday, 25 June, 6pm, Napier RSA. Bookings to David ZL2DW (ph 0274 502501 or email david@apexradiocom.co.nz).



### **DONATED JUNK AUCTION (Branch 13/HBARC, Hastings)**

This will be held after a very quick and normal meeting at **7pm** on 28 JULY at the Pakowhai Hall. Bring goodies to donate and money.



Have you ever wondered about the Coax Cable number system ?

eg (from Military jargon) RG 8/U would be derived from "Radio Guide, model 8, Utility type", and so on. ZL2DW.

Continued from Page 2

Dave was a "Maker" long before the term was invented, and I am sure many of you, particularly those that were part of the VHF group of yesteryear will recall some of his astounding feats in Amateur Radio.

His design of a software morse code reader, which must have been close to a "first", his prolonged design and redesign of his world renowned satellite tracking software and hardware which evolved to fit changes to PC hardware from internal boards, to printer ports, to Serial ports and finally USB ports. His railway layouts and his boat and ship modelling and sailing. I recall him running his whole station as a BBS gateway for the general Amateur population.

On the professional front he was part of the design team that developed the Hatfield Company's first SSB marine transceiver, I believe he was also instrumental in discovering the special cut of quartz crystal that is inherently thermally stable, leading to the dropping of crystal ovens in SSB HF radios.

Dave never stopped learning and adopting new things, on my last visit with him, he had built a couple of 3D printers and had used one of them to build a new front panel to his soldering station, so that he could accommodate the latest soldering technology, the T12 series irons. He inspired me to learn C programming, which I am afraid to say I do very little of now, although that old knowledge is handy when trying to tame an Arduino sketch. I personally will miss the fact that he was in our presence, but now is gone. RIP Dave.



## VLF Towers Exmouth

North West Cape (Western Australia)

Very impressive but hard to photograph due to the size and flat terrain

Centre tower is around 1300 feet high !

Ground plane radials = 400 km of cable



## Another month another project This time it's an R.F. field signal strength meter.

I found this circuit on the internet and it looked straightforward to build .  
Now I used one of these back in the good old days when I was installing radio telephones in cars and trucks, when I was an apprentice back in the Dark Ages. I used to sit the unit on the bonnet of the car pull up the whip aerial and push the transmit button on the RT and tune the R F output until we had peak R F output. Now days, I have lots of stuff , a bit of a hoarder, “ I can use that one day “. Some people call it something else, but to me it is stuff.  
On hand is a 60 amp meter. Unlike the photo that you see; this one shows it's life. The front is cracked and scratched. But it show's 60 amps full scale deflection. So I put a 1.5 volt battery across the terminals and got nothing at all. O dear the shunt is still there, and it's on the inside of the case. Start to pull it apart. It has one set of size nuts on the outside that I don't know the country of origin and then try to pull out the movement .  
And there it is, cut the wires to the movement and put it to one side. The shunt is across the terminals and it is soldered down .  
So I used a socket set and just unscrew them , despite the solder. That was never going to work.  
Multiple layers of metal, in the shunt , ended up putting in the vise and using the hacksaw to cut them off.

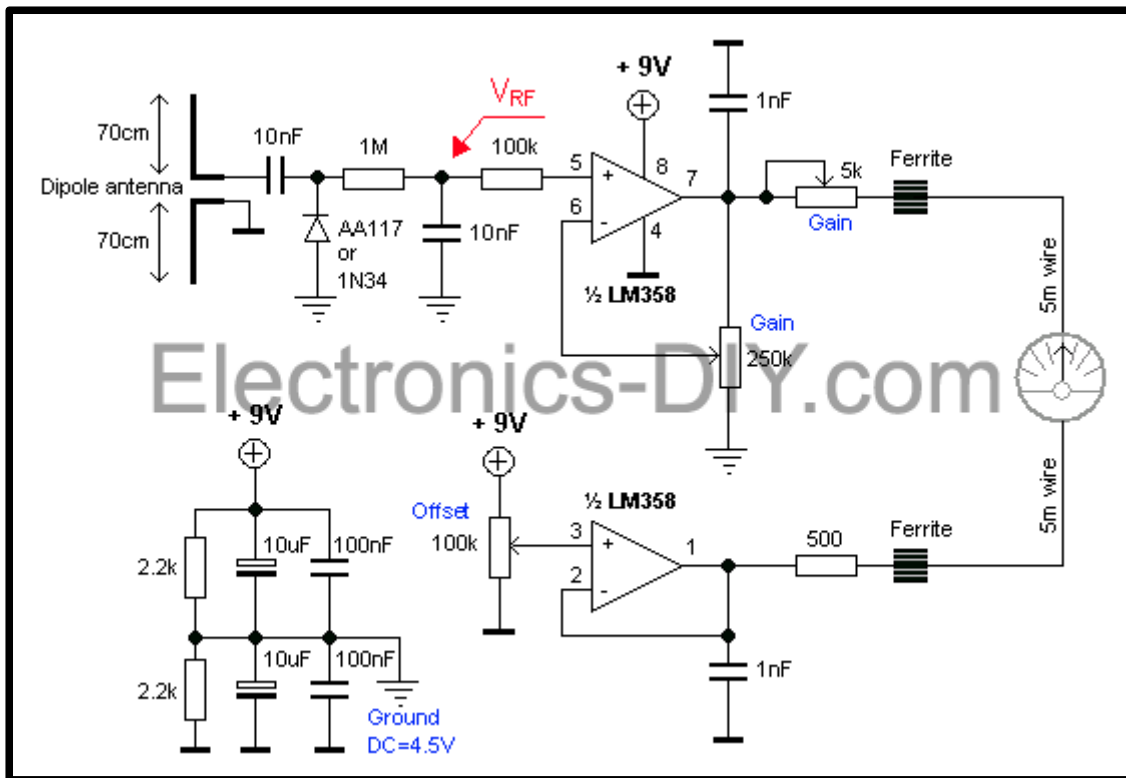
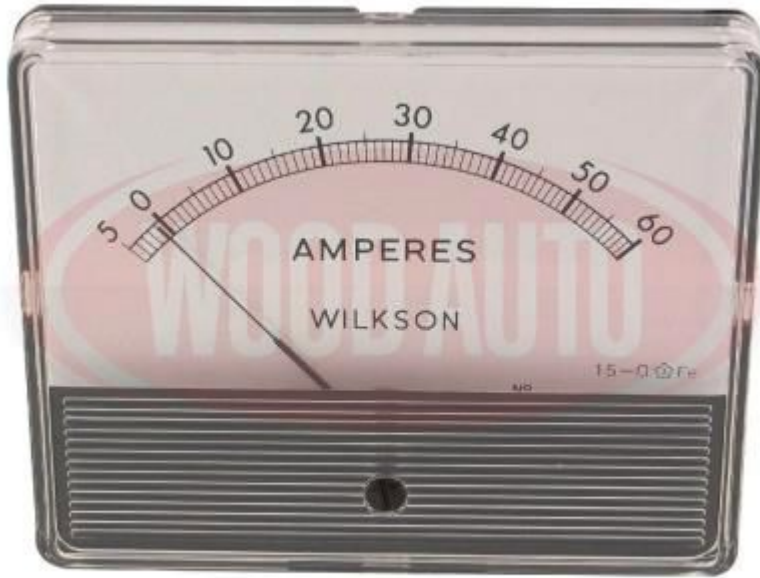
**Reassemble;** put the battery across it and I now have full-scale deflection . I have no idea of what sort of current I need for full scale deflection as nothing is shown on the white plate. I could work it out with a multi meter but that would take all the fun out of it.  
But I have it ; it it is old, and hopefully something will happen.

### **Building the circuit.**

I like to build this sort of circuit on Vera board , worked OK right up to putting in the 5K ohm preset pot in series with the meter. I thought I will just open up the holes on the Vera board and reached for my Dermal clone.  
Well the drill bit grabbed onto the board ,snatched it out of my hands spun it around rapidly.  
The off switch is always on the other side of the drill where you can't get to it, in a panic .  
When every thing stopped I found my Im358 as they say “ had left the building “. With the noise I never heard it land. I looked for it on the floor couldn't find it anywhere. At this time we were under level 2 and could have gone through to three or four. So I rushed down to the shop and bought a second one, knowing that when I got back I would find the original .  
I have a box to put it in, and are working on building the power supply side of it . I will then switch it on and see what happens. Not having a transmitter probably not a lot. We live in hope that these things will come to pass.  
I am off inside for a coffee and a bicky.

73

Eric ZL2TSU



### RSGB Handbook orders taken.

Should you wish to purchase one of these through NZART HQ Office then please do it now so the completion of a bulk order to UK can be made.  
 Email Debby Morgan (NZART HQ) at [nzart@nzart.org.nz](mailto:nzart@nzart.org.nz)  
 They are about NZ\$85, actual price is unknown due to unknown freight charges but based on history bulk buying is the way to go for a good deal ex UK.  
 Do it now if you "want in".  
 David ZL2DW



# Amateur Radio

## What is Amateur Radio?

Amateur radio is a hobby of exploring the limits of radio, electronics and digital technologies. Once you've passed the licence exam, you'll allocated a worldwide-unique call sign and can operate (and build) radio equipment capable of international and space-based communication, from wherever and whenever you like.

What can you explore:

- Operating low power in the outdoors
- international communication from your backyard (without the Internet or cell phones)
- bouncing radio signals off asteroids
- talking to the International space station
- designing and building radio transceivers and antennas
- sending signals 2000km using just a Raspberry Pi and a micro-transmitter.
- exploring what can be done linking the Internet, radio and computers
- providing communications support for search-and-rescue (SAR), Civil Defence and Amateur Radio Emergency Communications (AREC).

## **When can I enrol?**

Enrolments are open for our “HamCram” study program from 5 April 2021 and close on 15 July 2021. We recommend enrolling early so you have the maximum study time.

## **HamCram weekend - Saturday Aug 7 and Sunday Aug 8 2021**

## **How do I enrol in the HamCram program?**

It is simple; just email the organiser at [newham@z12ko.org.nz](mailto:newham@z12ko.org.nz) to get your name on the list

If you are interested in knowing more about our local radio club go to [www.z12ko.org.nz](http://www.z12ko.org.nz)



# Beginners Classes

Although not essential to be part of the HamCram weekend we will be running Beginners Classes which will cover all but three of the topics covered on the HamCram weekend.

Tuesday May 25 – Class 1 – Safety / Measurement / Electronics

Tuesday June 1 – Class 2 – Resistance / Ohms Law / Power Law

Tuesday June 8 – Class 3 - AC Theory / Semiconductors / Devices

Tuesday June 15 – Class 4 - Meters / Harmonics / Review Ohms and Power Law

Tuesday June 22 – Class 5 - PSU / Regulated PSU / dB

**Saturday June 26 – Weekend Exercise – Practical sessions.**

Tuesday June 29 – Class 6 - Transmitters 1& 2

Tuesday July 6 – Class 7 - Receivers 1 & 2

Tuesday July 13 – Class 8 – Resonance / Transmissions Lines / Antennas

Tuesday July 20 – Class 9 - Propagation / Interference / HF Station

Tuesday July 27 – Class 10 - Operating 1 & 2 / Digi modes

Tuesday August 3 – Class 11 – Recap

**Saturday Aug 7 and Sunday Aug 8 – HamCram weekend and exam**

Tuesday Aug 10 – What's next? Where to from here now I have your licence?

Tuesday Aug 17– What's next? Your Amateur Radio Station

These Classes will also be run via ZOOM for those who have registered for HamCram

# ZL2KO



## Manawatu Amateur Radio Society

# HamCram Course - Enrolment Form

Name \_\_\_\_\_

Address: \_\_\_\_\_

\_\_\_\_\_

\_\_\_\_\_

Email \_\_\_\_\_

Phone \_\_\_\_\_

## Enrolment

- The Complete Program includes exam fee and meals - \$150.00**

The compulsory manual must be downloaded and printed, it is available from <http://www.nzart.org.nz/exam/download-examination-files>

Enrolment forms must be completed and can be either posted to The HamCram Co-ordinator or emailed to [newham@z12ko.org.nz](mailto:newham@z12ko.org.nz)

## Payment Method

- Direct Credit or Direct Deposit**
- to Westpac Account: 03 1522 0161009 00
  - **put *your surname* as the reference, AND *hamcram* in particulars**

- Cheque** made out to the Manawatu Amateur Radio Society

Post your enrolment form and cheques to:

**The HamCram Co-ordinator**

Branch 20

24 Langley Ave

Palmerston North