



Hastings Br  
13  
Club Calls  
**ZL2AS**  
**ZL2QS**

Napier Br 25  
Club Calls  
**ZL2GT**  
**ZL2G**

**IRLP**  
Node  
6793  
147.250

**Branch's**  
**13/25**  
**Net**  
9.00 AM  
Sunday  
Morning  
670  
Repeater

**Editor**  
John Newson  
ZL2VAF



The Hawkes Bay AREC repeater trailer on site at Omakeke for Rally Hawkes Bay

<http://www.zl2gt.nz/>

<http://www.zl2as.org.nz/>

**Emergency Call-in Frequencies: 3615khz and 670 repeater**



### **Inside This Issue**

<b>Napier Branch 25 Report</b>	<b>Page 2</b>
<b>Hastings Branch 13 Report</b>	<b>Page 3</b>
<b>A bench power supply</b>	<b>Page 4</b>
<b>For Sale</b>	<b>Page 6</b>
<b>Rally of Hawkes Bay</b>	<b>Page 6</b>

## **NAPIER BRANCH 25**

**President:** Dave Crook ZL2MQ, 02102969006 email [davey.crook@gmail.com](mailto:davey.crook@gmail.com)  
**Secretary:** Bryce Gilbert ZL1BCG 027 27764928 email [zl1bcg@gmail.com](mailto:zl1bcg@gmail.com)  
**Treasurer:** Stuart McLeod ZL2XC 8445706 email [stushe@slingshot.co.nz](mailto:stushe@slingshot.co.nz)  
**AREC:** Mike Bull ZL2VM 843 6052 email [r1b.mbb@xtra.co.nz](mailto:r1b.mbb@xtra.co.nz)

### **Committee:**

**Revell Troy ZL2SS** 0210742837 email [revelltroy@hotmail.com](mailto:revelltroy@hotmail.com)  
**Michael Mullins ZL2MY** 8434210 email [michaelmullins@xtra.co.nz](mailto:michaelmullins@xtra.co.nz)  
**Peter Breen ZL2CD** 0274721527 email [peterbreen@clear.net.nz](mailto:peterbreen@clear.net.nz)  
**Karl Matthys ZL1TJ** 845 4372 email [karl@waspnet.co.nz](mailto:karl@waspnet.co.nz)

**Committee Meetings:** 7:30 pm, 3rd Tuesday of January, March, May, July, September, November

**Club Calls:** **ZL2GT, ZL2G**

**Club Web Site:** <http://www.zl2gt.nz/>

**Club Nights:** First Wednesday each month (except January) 7.30pm at the Club Rooms: 123 Latham Street Napier

## **Napier Amateur Radio Club**

Another month has shot by, I have spent most of it moving to the retirement village at Te Awa, it's surprising how many people I know who have already made the move. I am still getting rid of household and amateur radio excess equipment, and expect that will go on for a while yet.

At our last meeting we heard from John, ZL2VAF, about AREC, he is looking for volunteers, so if you have an interest in this facet of Amateur Radio, please approach John directly, his details are on the Branch 13 section of this newsletter. Hopefully our new IC7300 radio is close to delivery, we may need some help to finish off the club aerial before fitting this new radio into the shack.

The state of New Zealand business is a bit of an enigma, we are led to believe that business is exceeding expectations, and to strengthen this assertion, Mary and I have found that ordering NZ made furniture is a waiting game, items ordered in April are still to appear. This does not harbour well, as we, and I assume many others, are checking to see if what you want is "In stock" before ordering.

I was on the cusp of ordering a new radio, and then Yaesu announced a new model FT710 HF + 6M which hasn't got a price tag yet, I wish there was a New Zealand dealer for Yaesu so I could get closer to the information source.

Errol ZL2IT is continuing his series of workshops, (second and 4th Mondays at the Latham street clubrooms 7pm), now moving on to other on line and software tools useful to the Amateur Radio and electrical enthusiast. All welcome to attend and contribute to the discussions, come along and help steer the direction of these chats/ workshops, which are put on for your benefit.

Napier Branch has its next meeting on August the 3rd and after the usual Club business, it is "Show and Tell", where you bring anything that will be of interest to the group, this can be anything, even a paper or magazine clipping. No contest! just for interest sake.... and join us for some chat and cuppa.

This will be held at the Clubrooms 7:30pm, all very welcome.

That's all for now

73 Dave ZL2MQ

## HASTINGS BRANCH 13

<b>President:</b>	Blue Smith ZL3TT	Ph 027 220 3724	email: <a href="mailto:kgsmithblue@nowmail.co.nz">kgsmithblue@nowmail.co.nz</a>
<b>Vice President</b>	Robert Wallace ZL2SG	Ph 878 4993	email <a href="mailto:ffonzrjw@gmail.com">ffonzrjw@gmail.com</a>
<b>Secretary:</b>	David Walker ZL2DW	Ph 876 0518	email <a href="mailto:david@apexradiocoms.co.nz">david@apexradiocoms.co.nz</a>
<b>Treasurer:</b>	Peter Moore ZL2HM	Ph 06 68577340	email: <a href="mailto:pikam@xtra.co.nz">pikam@xtra.co.nz</a>
<b>AREC/CD</b>	John Newson ZL2VAF	Ph 027 230 3642	email: <a href="mailto:zl2vaf@gmail.com">zl2vaf@gmail.com</a>
<b>AREC Deputy:</b>	Robert Wallace ZL2SG	Ph 878 4993	email <a href="mailto:ffonzrjw@gmail.com">ffonzrjw@gmail.com</a>
<b>Committee:</b>	Ray Barlow ZL2RB	Ph 06 878 6068	email: <a href="mailto:r.w.barlow@xtra.co.nz">r.w.barlow@xtra.co.nz</a>
	Rob Leicester ZL2US	Ph 878 6381	
	Peter Keong ZL2PW	Ph 027 217 1315	email: <a href="mailto:pkeong@xtra.co.nz">pkeong@xtra.co.nz</a>
	Brendin Graham-Ireland ZL2SB	Ph 027 777 2262	email: <a href="mailto:brendingi98@gmail.com">brendingi98@gmail.com</a>
	Stephen Simpson ZL2SPF		
<b>Hastings QSL Distribution:</b>	Wally Shuker ZL2MO	Ph 843 5497	email <a href="mailto:ZL2MO@hotmail.co.nz">ZL2MO@hotmail.co.nz</a>
<b>Magazine Editor:</b>	John Newson ZL2VAF	Ph. 027 230 3642	email <a href="mailto:john@thecomputerman.co.nz">john@thecomputerman.co.nz</a>
<b>NZART License Examiners:</b>	Peter – ZL2HM, Dave – ZL2MQ, Ray – ZL2RB		
<b>Club Call:</b>	<b>ZL2AS and ZL2QS</b>		

**Club Nights: Fourth Wednesday each month at 7.30 pm Pakowhai Hall, Pakowhai Road, Pakowhai**

## From the top table

Hi Guys and Girls, Well the Rally of Hawkes Bay is over and done cold wet and what ever can go wrong did. Bloody Murphy, he just has a way to make your day turn from good to bad and then back to good.

Well not much to mention this month been very quiet and not much has happened around here that's for sure, but it is winter and not much can be done outside. I for one don't have a lot to do inside either.

This month is Branch 13s junk sale night so dig deep in your sheds and radio rooms find the stuff you don't want and bring it along. We will sell it for you and put the money into the club coffers as it all helps to pay the hall rent for the year ahead. Don't forget to put money into your pocket we will have great pleasure taking it off you but we will give you some thing in return HI HI.

That's it very short this month not much to comment about, I have been very active on 20 metres and made a contact into Madagascar and quite a few into Europe and a lot state side with good results. There are a lot of mud ducks out there and it has become a challenge to pull some of them out of the mud, guys that are running low power or have just wire antennas that are not very high or just not right in some way or form. Of cause there are those in the states that live in close housing and are part of the Home owners association and are not allowed to put a tower up and have to hide there antennas some how usually in a flag pole. They are the real hard ones to work. I am pleased we don't have that here but it is coming if we don't keep on top of local councils reforms.

That's it for this month take care and stay safe see you all on Wednesday night. Lets hope for a good turn out it will be warm in the hall we will turn the heaters on before you get there.

Cheers Blue ZL3TT, president Branch 13 HBARC



*Branch 13/HBARC, Hastings, office bearers,  
David Walker ZL2DW (Secretary),  
Blue Smith ZL3TT (President),  
Peter ZL2HM (Treasurer).*

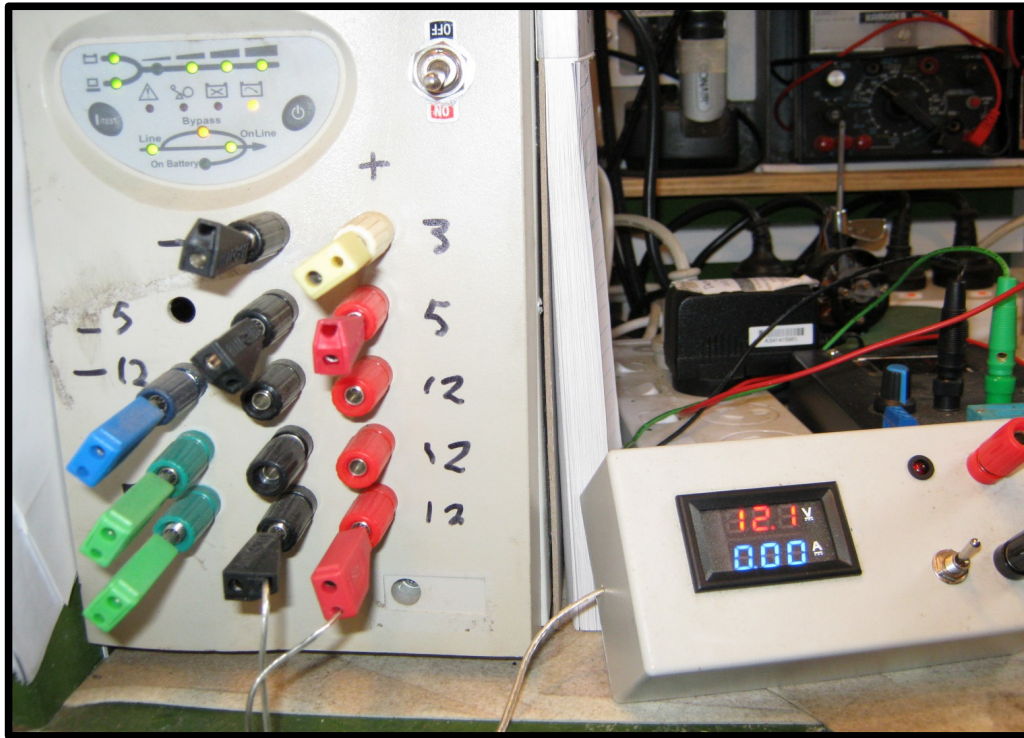
## A bench power supply

We all need one .

In my case I have used a computer power supply.

This one is the mark 2, because I blew up the first one, which did have a negative five volt rail, such is life.

Now this case as you can see in the photo, came into the scrap yard as an uninterrupted power supply, which I took out all of the parts, and was allowed to keep the case, light gauge scrap steel is almost worthless.



The batteries and the circuit boards and the copper wire do have some value.

The display is all lit up because I understand how to work out the voltage drop across led's and select the correct feed resistor.

It's pretty but it tells me that all the voltage rails are running.

Now in the small box you will see are my voltage and current display.

You can buy these units from overseas.

I put it in a box with a on off switch and led.

If you buy one of these, there are four different types, you wont know which one you will get.

You have to be aware of the different types and there's a website for this .

There are two white sockets on the back of the PC, depending on where they are, and how they relate to each other, and the colours of the three wires on one plug, and the wires thickness on the two wires plug and the three plug tells you which wire goes where .

As I said, there is a website , which shows all four pictures so I built it up and it had a little switch on it that switches the positive rail on off.

Now with these circuits, they use the negative rail to measure the current flow.

That's OK.

Now all computer power supplies, like I have learnt the hard way, with the first one, they have no protection on the output rails.

When you playing around on the bench you can put a short on the computer power supply, BANG .

It takes out maybe the chopper and the voltage regulators on the output side and every thing was now toast .

So I had to rebuild it , got a working computer power supply from work swapped for my old one.

It took 2 days to install in my case .

This time I put a row of fuses on the back .

I was working on a electronic train whistle as you do, and I could only get 2 out of the 4 op amps to run and all the sudden I got nothing.

When I looked at the display lights some have gone out.

Blown fuse.

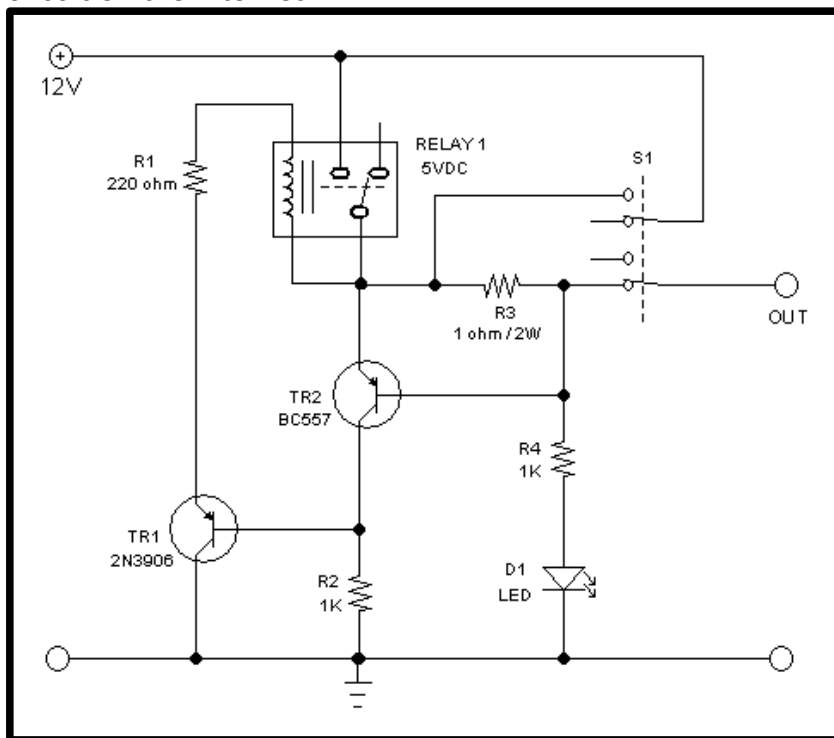
So I took the plugs out the bottom socket, (12 volts) and jump them up one on the power supply, all was OK, so away we went .

So I decided to upgrade my little box that I had in front of me, because when I'm working the main power supply is behind me.

Now Errol had described to us one night having built one of these reset semiconductor fuse systems things, for his power supply .

His was very fancy, that used a very fancy transistor that did weird things .

But I found this circuit on the internet.



It uses a relay ( all parts I have in stock, from scrap TV power supplies) so I built it up and fitted in to the box.

I replaced the switch in the front with a dpdt one.

This circuit uses pnp transistors, not used much today.

So I used some similar ones I had on stock.

I didn't have a 5 Watt 1 ohm resistor so I had to run down to my friendly electronic shop and buy one.

As I said I have a bit of stuff, that you never know when you're going to use them.

It did not work of course, and had me running round and round in the circuit.

In the end I thought that the relay was not being pulled in.

So grabbing a 100 ohm resistor out of the box, bridging across the existing current limiting resistor from the relay down to the transistor and there was a click as it pulled in.

So if you look at the circuit you can change the resistor coming out of the relay going down to the collector of the transistor to 100 ohm and it seems to work.

Now the switch as shown is in the run position .

You must flip up into the set position to supply 12 volts to the transistors so that they can pull in the relay.

You then switch back to the run position to supply voltage to the output positive socket.

I fixed the power supply, I took out the fuse and replaced it.

The fuse is 2.5 amps .

The circuit with a 1 ohm current sense resistor gives me two amps before the relay chops out and we go forward with the toes crossed that I won't blow up the power supply second time.

Off inside for a coffee and a bickie .

73 Eric



## For Sale

Yeasu FT 100 transceiver (used), LDG YT100 Tuner, OPEK HVT 400 B HF/UHF/VHF antenna. Tuner & antenna still in original packaging.

\$800 ono for all.

Tony Gilbert ZL2UAG

027 6700753



## Rally of Hawkes Bay

The Rally of Hawkes Bay was held last Saturday. The pic shows our trailer on Omakere, a high point in Central Hawkes Bay. Thanks to Gerard ZL2GR for dragging it up there.



We supplied nine operators for the rally, two in HQ and the rest in the field.

The Rally was supposed to be run in Northern Hawkes Bay, as far North as Frasertown, when a storm went through and damaged a lot of the shingle roads that were going to be used. The Wairoa council didn't want any more damage to the roads and the Rally organisers had to look elsewhere.

The managed to scrape enough roads together in CHB and it was on again. Some of the road closures weren't finalised until the last minute.

Although we had one or two hiccups in the field we have been invited again to next years event.