



Hastings Br
13
Club Calls
ZL2AS
ZL2QS

Napier Br 25
Club Calls
ZL2GT
ZL2G

IRLP
Node
6793
147.250

Branch's
13/25
Net
9.00 AM
Sunday
Morning
670
Repeater

Editor
John Newson
ZL2VAF



*Health
and
Safety?
See more
inside.*

<http://www.zl2gt.nz/>

<http://www.zl2as.org.nz/>

Emergency Call-in Frequencies: 3615khz and 670 repeater



<https://arec.nz/join-arec/>



Inside This Issue

Napier Branch 25 Report	Page 2
Hastings Branch 13 Report	Page 3
Notices	Page 4
Branch 25 Home Brew/Makers	Page 5
RF power dummy load	Page 7
Tuai Photos	Page 8

NAPIER BRANCH 25

President: Dave Crook ZL2MQ, 02102969006 email davey.crook@gmail.com
Secretary: Bryce Gilbert ZL1BCG 027 27764928 email zl1bcg@gmail.com
Treasurer: Stuart McLeod ZL2XC 8445706 email stushe@slingshot.co.nz
AREC: Mike Bull ZL2VM 843 6052 email rlb.mbb@xtra.co.nz

Committee:

Revell Troy ZL2SS 0210742837 email revelltroy@hotmail.com
Michael Mullins ZL2MY 8434210 email michaelmullins@xtra.co.nz
Peter Breen ZL2CD 0274721527 email peterbreen@clear.net.nz
Karl Matthys ZL1TJ 845 4372 email karl@waspnet.co.nz

Committee Meetings: 7:30 pm, 3rd Tuesday of January, March, May, July, September, November

Club Calls: ZL2GT, ZL2G

Club Web Site: <http://www.zl2gt.nz/>

Club Nights: First Wednesday each month (except January) 7.30pm at the Club Rooms: 123 Latham Street Napier

Napier Branch 25 Amateur Radio Club

As was my practice last year, I present here my annual report to the AGM of Branch 25.

I have great pleasure in presenting my annual report to the Annual General Meeting for 2022. Undoubtedly the highlight of this year has been the successful selling of a quantity of donated equipment, this has allowed us to purchase a big screen to replace the aging projector, replace one of the two old transceivers in the Shack, and will allow your committee to plan further maintenance and improvements to the Clubrooms. My thanks to all the contributors especially Jeff ZL2HT and Peter ZL2LF.

This year we have not examined any candidates for the Amateur ticket, I would really like for a few more to come forward after their study to be tested.

We still need to encourage non attending Amateurs in our vicinity to rejoin our ranks in the Club.

Speaking of the Club, my thanks goes out to the many and varied presenters that have shared their skills and expertise at our monthly meetings. If you can do one of these turns, please let the committee know. I'd especially like to thank Errol ZL2IT for starting a homebrew / Makers group and introducing the attendees into the mysteries of PCB making and currently a DSB transceiver to be built by individuals. These nights continue and are held every second Monday at 7:00pm, all welcome. Ideas like coax wound traps for multiband aerials and low impact antennas like loaded verticals are being considered to follow on from the DSB transceiver. Finally I would like to thank our Secretary Bryce, Treasurers Stu and Shelley and all the committee for their work this year.

Disappointingly, nobody entered a HB project for the Pan Pac Trophy at the last meeting, however a demonstration of the capabilities of remote operation of modern HF rigs did cause some interest.

And From the AGM, the officers and committee remain the same.

Errol ZL2IT continues his HB series of meetings and the attendees are progressing their DSB rigs.

Elsewhere in the Break Out there are some photos of these activities, All welcome 2nd and 4th Mondays at the Latham street clubrooms 7:00pm

Our next meeting is on at Latham Street, 7th December, Xmas wind up, bring a spot of cheer to wind up the year, all welcome.

That's all for now

73 Dave ZL2MQ

HASTINGS BRANCH 13

President:	Blue Smith ZL3TT	Ph 027 220 3724	email: kgsmithblue@nowmail.co.nz
Vice President	Robert Wallace ZL2SG	Ph 878 4993	email ffonzrjw@gmail.com
Secretary:	David Walker ZL2DW	Ph 876 0518	email david@apexradiocoms.co.nz
Treasurer:	Peter Moore ZL2HM	Ph 06 68577340	email: pikam@xtra.co.nz
AREC/CD	John Newson ZL2VAF	Ph 027 230 3642	email: zl2vaf@gmail.com
AREC Deputy:	Robert Wallace ZL2SG	Ph 878 4993	email ffonzrjw@gmail.com
Committee:	Ray Barlow ZL2RB	Ph 06 878 6068	email: r.w.barlow@xtra.co.nz
	Rob Leicester ZL2US	Ph 878 6381	
	Peter Keong ZL2PW	Ph 027 217 1315	email: pkeong@xtra.co.nz
	Brendin Graham-Ireland ZL2SB	Ph 027 777 2262	email: brendingi98@gmail.com
	Stephen Simpson ZL2SPF		
Hastings QSL Distribution:	Wally Shuker ZL2MO	Ph 843 5497	email ZL2MO@hotmail.co.nz
Magazine Editor:	John Newson ZL2VAF	Ph. 027 230 3642	email john@thecomputerman.co.nz
NZART License Examiners:	Peter – ZL2HM, Dave – ZL2MQ, Ray – ZL2RB		
Club Call:	ZL2AS and ZL2QS		

Club Nights: Fourth Wednesday each month at 7.30 pm Pakowhai Hall, Pakowhai Road, Pakowhai

From the Top Table

Hi and welcome to the last Break Out for the year and what a year we at Branch 13 have had with all the things we have done. It doesn't seem like we have done much but behind the scenes there has been a lot getting done by those that keep the club running smoothly.

I will take this time to wish you all a very Merry Xmas and a Happy New Year and hope you all have a good holiday for those of you that take annual leave at Xmas but, for us folk that are retired, every week is a holiday so we just carry on doing what is best for us, HIHI.

At this time I would just like to remind you that subs are due from now on and I can't say if they will go up but I think we will be quite lucky and they will stay the same as they have for so long. I can't remember the last time they went up but we are very lucky in that unlike other clubs that have had to put their subs up to stay active and financial.

As this is the last Break Out for the year I don't have a lot to mention but I do urge you to attend the AGM and see how we have been doing this year. Maybe you might like to put your hand up to sit on the committee or offer some sort of help to the club as we do need to have you folks involved with the club rather than sit back and let the same ones do all the work. We are always looking for new ideas as to what you guys and girls would like to see getting done to make the hobby interesting for you. New ideas are always welcome no matter how small they might be.

Don't sit on your hands and think that others have better ideas than you as we are always on the look out for some thing new to do, e.g., next year we are looking at doing a trip to Wanganui to go have a look at Grahams ZL2AHR and Vale's vintage radio collection. It is a great day out and, as we have found on other trips, it has always been a fun day. Bring your thoughts to the club so we can look into them and see how much interest there would be in it.

Even if we have been there before there are a lot who have not been on these trips and it might be a good time for those of you to come along.

Well that's it and I look forward to seeing you at the AGM and general meeting on Wednesday night at 7.30pm.

Blue ZL3TT President Branch 13 HBARC.



*Branch 13/HBARC, Hastings, office bearers,
David Walker ZL2DW (Secretary),
Blue Smith ZL3TT (President),
Peter ZL2HM (Treasurer).*

Branch 13/HBARC NEXT MEETING

23 November 2022, 7-30pm, Pakowhai Hall.

- General Meeting
- Annual General Meeting
- Homebrew Competition



WANTED

ZL2SCI is looking for a straight morse key and an iambic two paddle key.
Contact Peter ZL2HM if you can help. (pikam@xtra.co.nz)



First Female Marine Radio Operator

[Click here and have a surf through.](#)
(Brought to our notice by Marilyn ZL2BOA)



Straight Key Night



Straight Key Night (Summer Edition) will be held on Sunday 4 December from 9pm to 10pm on 80 metres. SKN is not a contest, but it is a great chance to dust off that straight key and let us hear what it can do. New to CW? No problem, we'll happily match your speed.

Details are at radio1nz.com/skn

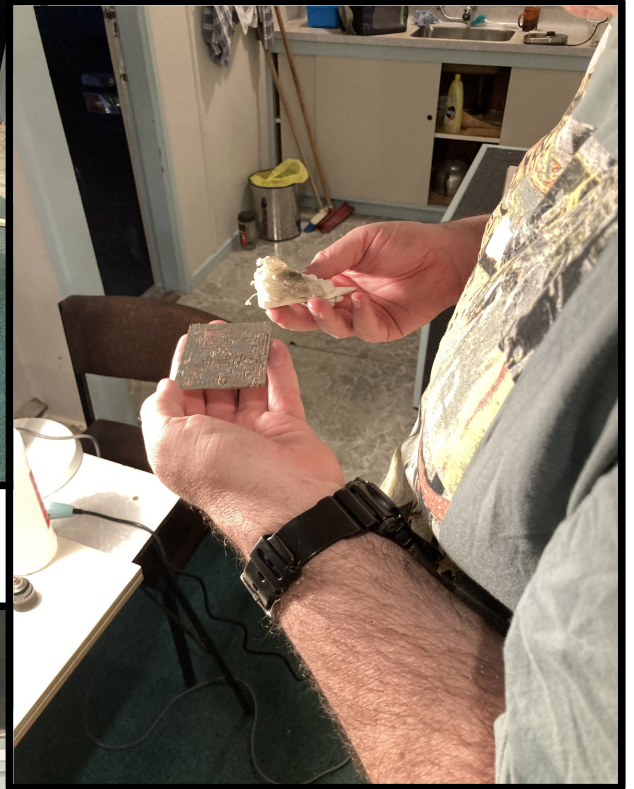


David's Dad Joke ...

Q : what do you get if you cross a centipede with a parrot ?

A : a walkie talkie.

The Branch 25 Homebrew / Makers group in action



RF power dummy load with power meter.

Seeing that I'm getting into the world of transmitting, there are rules that have to be obeyed.

As well as it is being just being plain rude to cause interference with other users on the band, just because you want to test your transmitter!

I needed a RF dummy load to keep everyone happy.

A RF dummy load allows you to set up your transmitter to 50 ohms where an aerial may not be a true 50 ohm load.

No one wants to get that knock on the door from the radio inspector or another ham with a pair of side cutters in his hand.

I found this circuit on the internet (fig 1) it makes a straightforward easy-peasy RF dummy load with power meter.

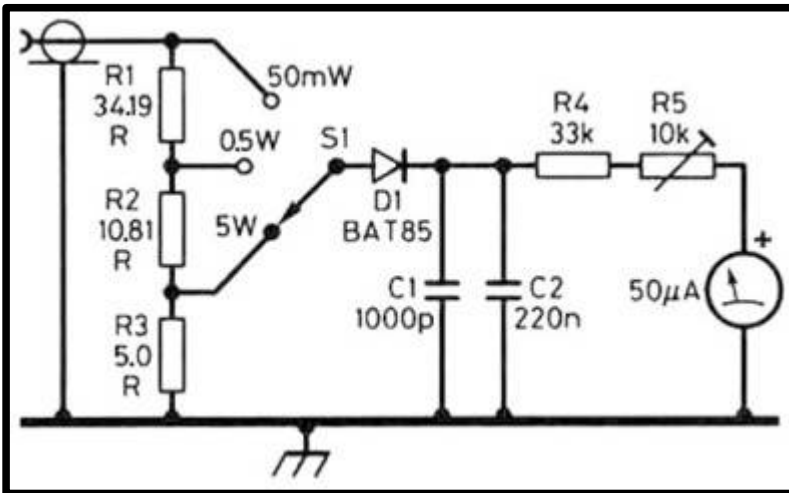


fig 1

Not wanting to waste anything, I have a box of 27 ohm, 1 Watt resistors that I've picked up somewhere along the line.

A little bit of work with the calculator and if you make 7 rows of 13 resistors in a parallel series combination you get 50 ohms.

This is not a high-powered monstrous tin full of oil that can handle high power transmitters (fig 2).

This one just going to run a few watt's of RF power.

In the circuit (fig 1) the 50 ohms is broken down into R1 R2 R3 which is set up to give you 50 mill watts 0.5 watts and 5 watts

Never been one to muck around I just tapped off all down the chain of resistors, thus giving me six steps, I had a six step switch on hand.

Calibrating the metre is straightforward .You use the formula that $V_{dc} = \text{square root of } 2 * 50 * \text{power}$.

I have a little calculator that does all this for me you just plug in the formula put in the numbers that you have and then ask it to solve for the one you don't have.

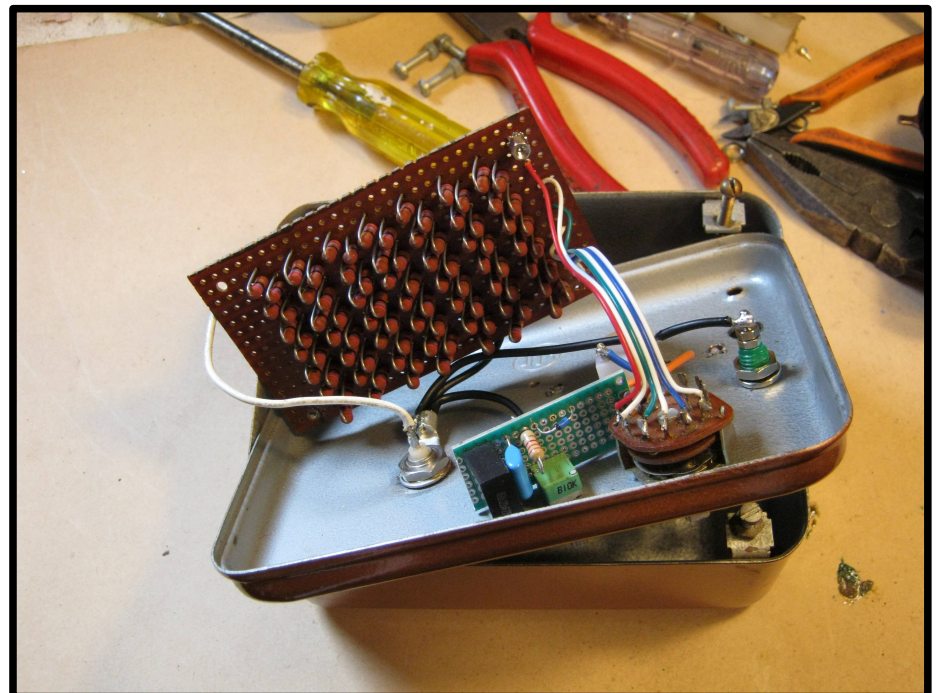


fig 2

Not one of this having to reconfigure the formula like we learnt school.
Also one not to waste money I had a analogue metre which is 30 volts on hand.
I just needed to remove the series resistor, so I dismantled it, cut out the resistor and put in a link.

The only thing I needed to buy was the 10K pot and a Schottky diode. I had the BNC socket and all the rest.

I installed a green banana socket, just in case I want to earth the whole case to the earth spike outside the window .

The case was also from the Hastings club sale.

The only calibration I did was to set it up for 3 watts.

If you put 12 volts DC input the metre will read 1.44 watts of power. You can work out the rest to fit the scale of your own meter, from the formula .

40 watts which requires 36.24 volts DC ,I'm unlikely to ever get that high, so it was just one calculation what's what I had calibrated it to a lick of paint and call it done.

A straightforward little thing, but little things that you make yourself, that I don't have to buy.

Hopefully this will keep all my friends happy and not yelling at me. I'm having next month off I've got several projects that need to be finished but they will wait for the new year.

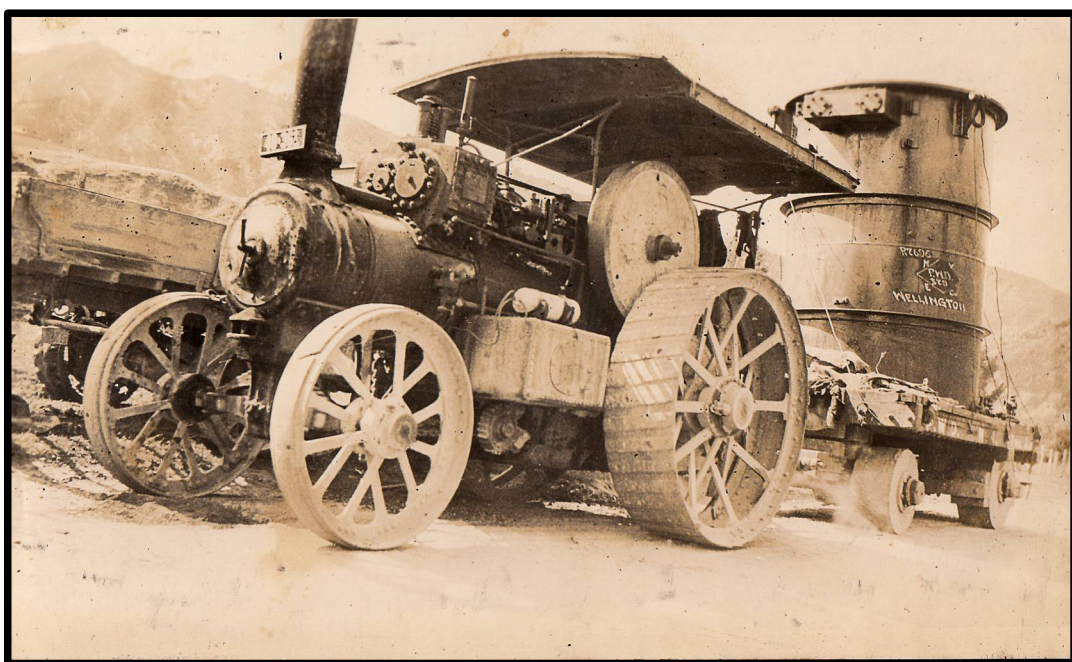
So I'm off inside for a coffee and bickie .

A Merry Christmas to all and to all a goodnight .

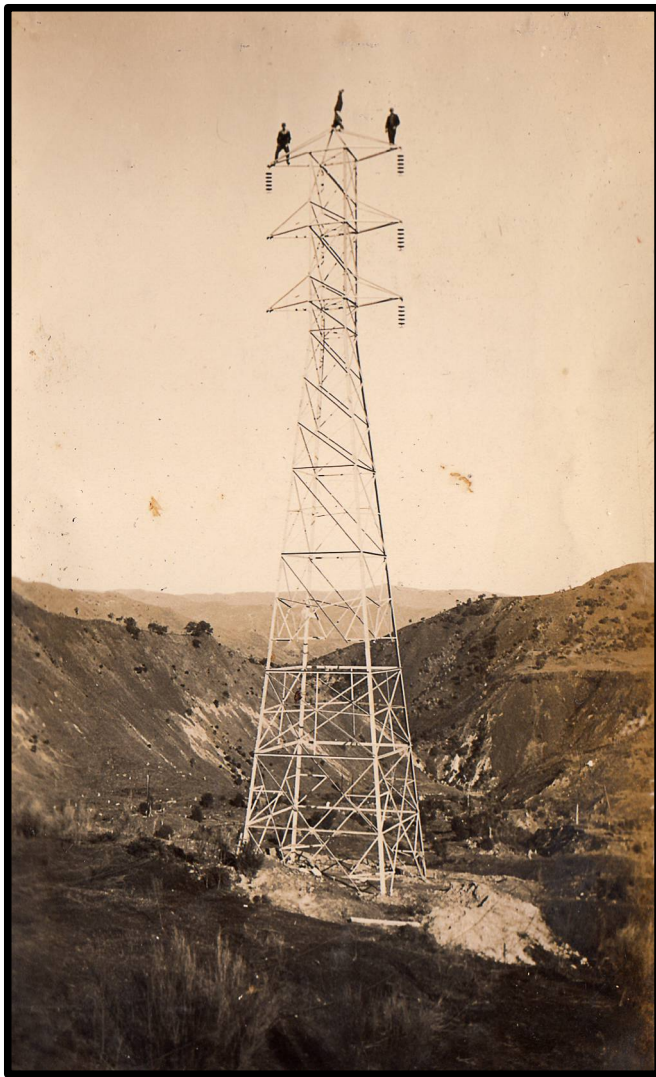
Eric



A few photos from the Tuai Dam Construction Peter ZL2LF

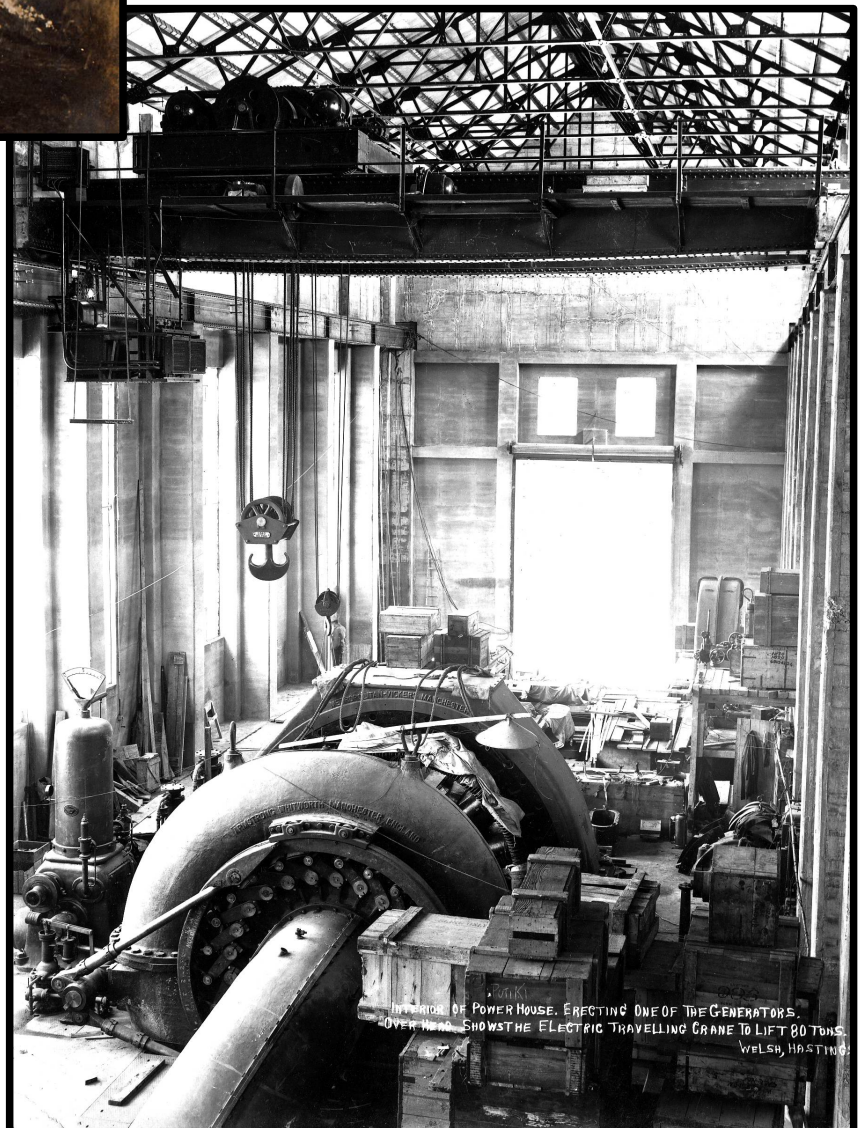


I think it was taken on a disused road from Gisborne.



A wonderful photo from when the Tuai power station was being built. I do not think health and safety would be amused! It was taken from tower 247 and the height is 101 feet.

*Text on photo reads:-
 "Interior of the Power House. Erecting one of the generators. Over head shows the Electric travelling crane to lift 80 Tons. Welsh, Hastings"*



INTERIOR OF POWER HOUSE. ERECTING ONE OF THE GENERATORS. OVER HEAD SHOWS THE ELECTRIC TRAVELLING CRANE TO LIFT 80 TONS. WELSH, HASTINGS